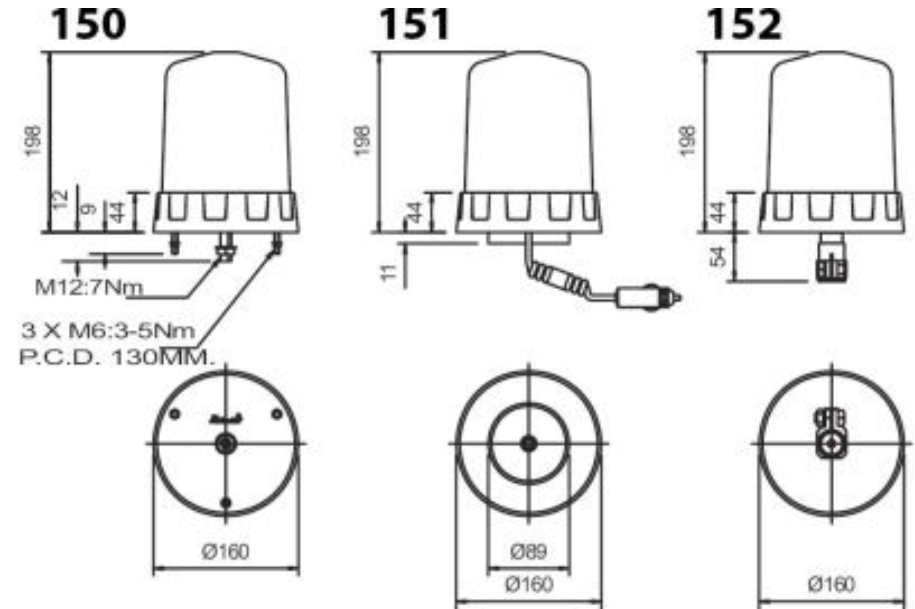




M151

Rubbolite Warning Beacon



Part Number	Description
-------------	-------------

151/03/00	Magnetic Beacon
5096	DIN A / DIN B1 / Magnetic Lens
5097	Lens
5092	55W Bulb
5093	70W Bulb
5874	Circuit
5196	Magnetic Base Kit
5369	DIN A
5857	Drive Belt

Description and Features

Halogen rotating magnetic fixing with a cigarette lighter plug beacon available in 12 and 24 volt options and suitable for trucks, trailers, agricultural and construction vehicles.

Amber halogen rotating beacon with an IP rating of IP66 to stop any water or dust ingress affecting the function of the beacon.