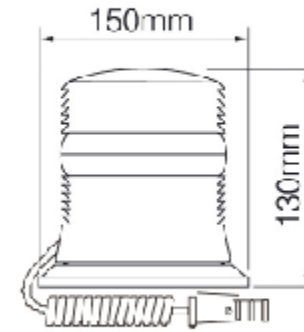




XCB
0202/6



Magnetic

Part Number	Description	Description and Features
UKCBMV0202	10-30V Xenon Beacon Magnetic Fixing 2 Watt	<p>2 or 6 watt dual voltage 12/24 volt compact Xenon magnetic fixing beacon suitable for a variety of vehicle applications including utility and fleet, agricultural, plant and contracting.</p> <p>Low profile with a compact rugged design magnetic fixing beacon that comes with a high performance ABS base and acrylic lens as standard. These units are sealed for life to stop any dust or water ingress and ensure a longer life for the beacon along with a low power consumption.</p>
UKCBMV0206	10-30V Xenon Beacon Magnetic Fixing 6 Watt	