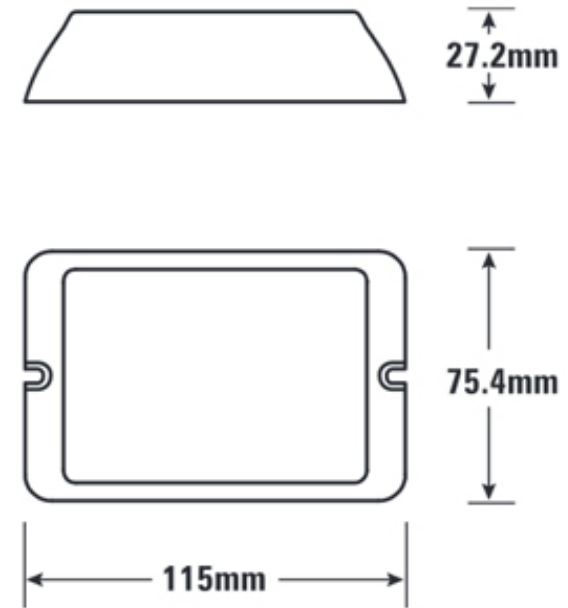


SL-10051

LED Averter Flashing Beacon



Part Number	Description	Description and Features
SL-10051	12/24V Amber Averter	<p>Compact clear lens high intensity and dual voltage (12 and 24 volt) this Averter amber LED flashing beacon with 8 amber diodes is suitable for all vehicles for use within the agricultural, commercial, industrial and bus sectors.</p> <p>The Averter LED flashing amber beacon is unique in its quad flash pattern that can be synchronised or alternated when connected with multiple beacons. The use of 8 individual LED amber diodes ensures that the beacon is highly visible and bright for working in hazardous and adverse conditions. All the electrical wires within this lamp are IP rated to IP67 to ensure their safety and effectiveness. The Averter is both EMC R10 and ECE approved.</p> <p>Dimensions: 115 (W) x 75.4 (H) x 27.2 (D) mm.</p>