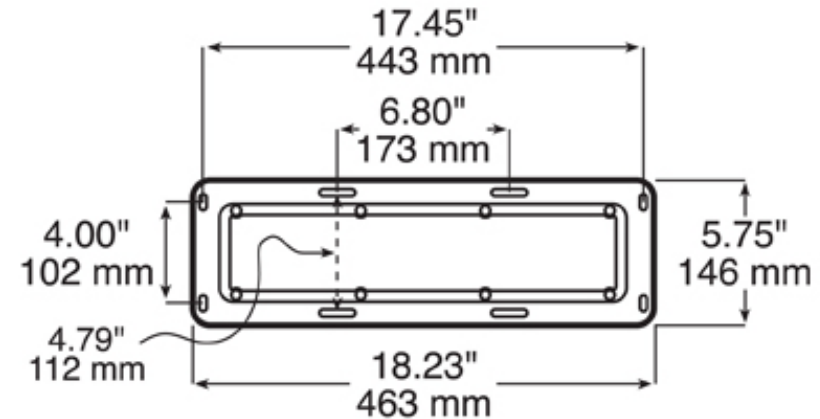
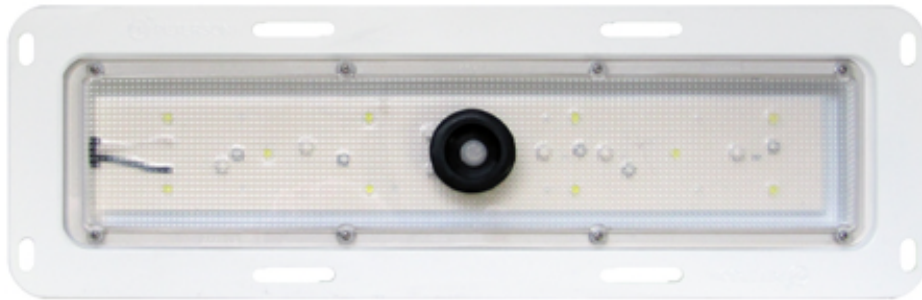


# PM-M365

LED Interior Light c/w Motion Sensor



**Part Number**

PM-M365

**Description**

12/24V Interior Light 1200 Lumens with PIR

**Description and Features**

Dual voltage LED white interior light available with selectable 12 and 24 volts and comes with a motion activated sensor. This low profile interior light is suitable for use inside commercial vehicles, trucks, buses and coaches.

Designed to be discreet this low profile interior light is surface mounted and extends only 0.86 inches below the surface and comes with a white aluminium housing. This ultra bright interior light with an output of 1200 lumen uses LED technology to increase visibility and the life of the light. This light is hard-wired with partially stripped ends and is rated IP67 to stop any water or dirt ingress to the electrical wires. Dimensions: 463 (W) x 146 (H) mm.