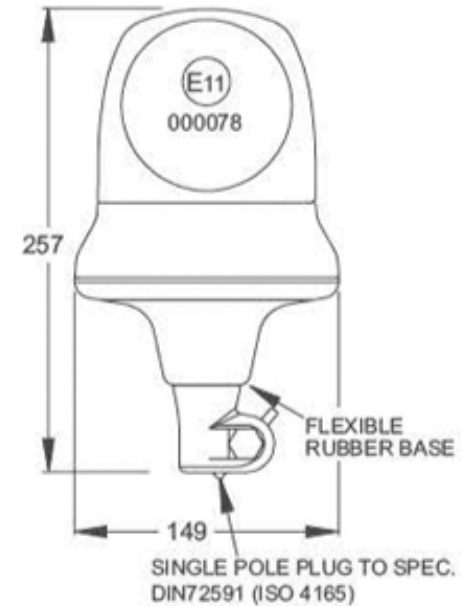


B25 Halogen Beacon

Britax Plug In Rotating Beacon



Part Number	Description
B25.12V	12V Beacon
B25.24V	24V Beacon

Features

Halogen rotating amber beacon with a flexi plugin fixing available in 12 and 24 volt options, this needs to be specified when ordering. This B25 warning beacon can be fitted to construction and fleets, trucks and trailers and agricultural vehicles.

B25 features a black flexi plugin base fitting and an amber polycarbonate lens for increased durability as well as a low current consumption. This beacon is EMC and ECE approved.

Flash rate: 160 flashes per minute
 Dimensions: 149 (W) x 257 (H) x 149 (D) mm.