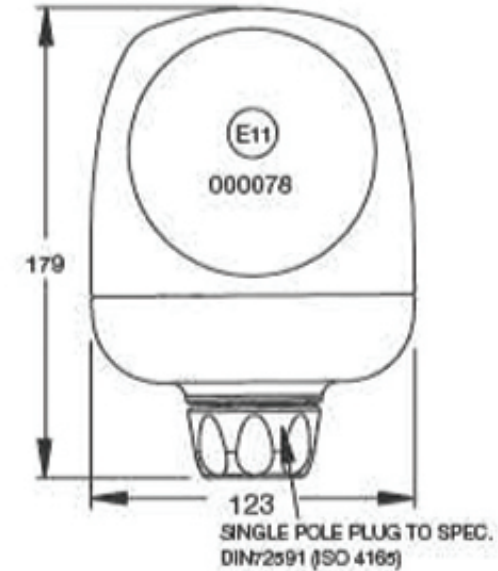


B22 Halogen Beacon

Britax Plug In Rotating Beacon



Part Number	Description
B22.00.12V	12V Rotating Beacon
B22.00.24V	24V Rotating Beacon

Description and Features

Amber halogen plug in rotating beacon available in both 12 and 24 volts to suit every application including trucks and trailers, utility and fleet, agricultural and construction vehicles.

Plug in rotating halogen beacon with a polycarbonate toughened amber lens and the voltage can be specified upon ordering. This warning beacon is ECE and EMC approved.

Flash rate: 160 flashes per minute.

Dimensions: 149 (W) x 182 (H) x 149 (D) mm.