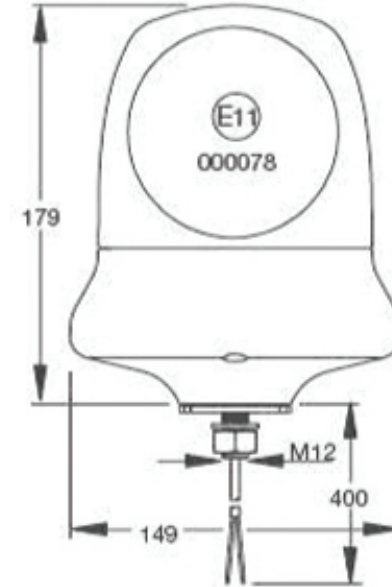


B21 Halogen Beacon

Britax Single Bolt Rotating Beacon



Part Number	Description
B21.00.12V	12V Rotating Beacon
B21.00.24V	24V Rotating Beacon

Description and Features

Halogen single bolt fixing amber rotating beacon available in both 12 and 24 volts to suit any application. This beacon is perfect for fleet and utility, agricultural and construction and light and heavy commercial vehicles.

Britax's B21 warning beacon comes with a toughened polycarbonate amber lens as standard to increase durability for adverse conditions. This beacon is both EMC and ECE approved.

Flash rate: 160 flashes per minute.
Dimensions: 149 (W) x 182 (H) x 149 (D) mm.