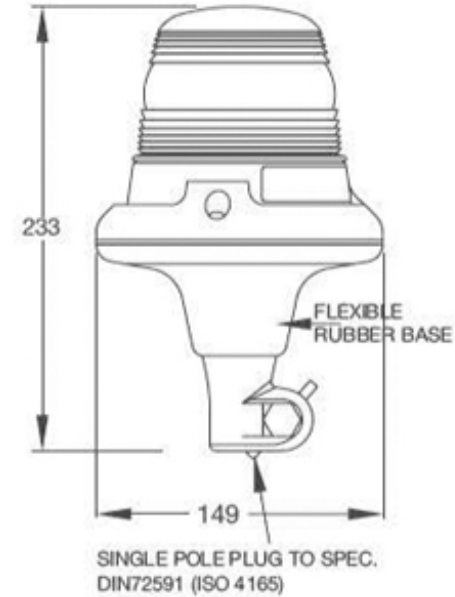


# B15 Xenon Beacon

## Britax Plug In Fixing



Part Number	Description	Description and Features
B15.00	10-100V Xenon Beacon	<p>Xenon flexi base amber warning beacon with a variable voltage to suit a wide range of applications including commercial vehicles, utility and fleet, construction and off road agricultural vehicles.</p> <p>Britax's B15 Xenon beacon features a toughened polycarbonate amber lens, black flexi base and a 3000 hour tube life to increase the life of the lamp. B15 is compliant with the low voltage and consumption directive and is reverse polarity protected. EMC and ECE approved.</p> <p>Flash rate: 65 flashes at 12V, 95 flashes at 24V. Dimensions: 149 (W) x 233 (H) x 149 (D) mm.</p>