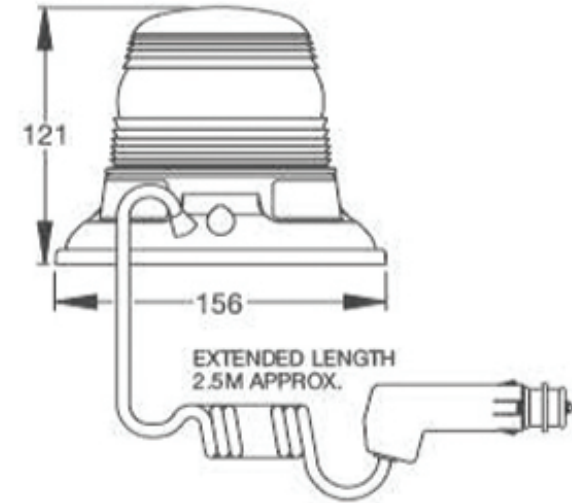


B14 Xenon Beacon

Britax Magnetic Beacon



PLUG FITS CIGAR LIGHTER SOCKER
OR DIN 72591 SOCKET

Part Number	Description	Description and Features
B14.00.MV	10-100V Xenon Beacon	<p>Magnetic base amber Xenon beacon with a variable voltage suitable for fitting to light and heavy duty commercial vehicles, agricultural and utility and fleets.</p> <p>Britax's B14 features an extended tube life of 3000 hours and a low current consumption which is compliant with the low voltage directive. With an amber polycarbonate lens and, black textured finish and reverse polarity protection this warning beacon is really popular. EMC and ECE approved.</p> <p>Flash rate: 65 flashes per minute at 12V, 95 flashes per minute at 24V. Dimensions: 155.5 (W) x 121 (H) x 155.5 (D) mm.</p>