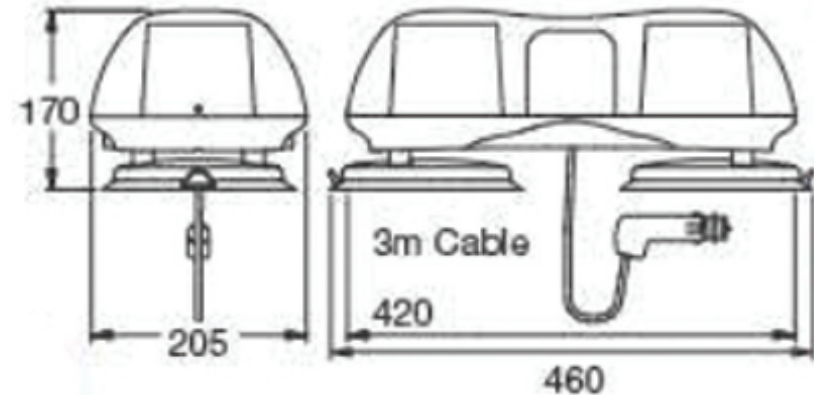


A454 LED Light Bar

Britax Magnetic Fixing



| Part Number | Description |
|-------------|-------------|
|-------------|-------------|

| | |
|-------------|-----------------------|
| A454.00.LMV | 10-49V LED Light Bar |
| 10085 | Internal Fresnel Lens |
| 18106.00 | Bush Mounting Kit |
| 14218.00 | Single Pole Plug |

Features

Britax mini LED light bar with polycarbonate amber lens and magnetic fixing and dual voltage suitable for commercial and utility vehicles for a speed up to 70mph.

The design of this mini light bar means it is suitable for curved or flat roofs with a flexible magnetic mounting. A454 comes with a high performance base which is water resistant to increase the life of the light bar. The use of LED technology means that the light bar has a high intensity concentrated light beam. This mini light bar is approved to EMC levels.

Flash rate: 70 groups of 5 flashes per minute.

Maximum vehicle speed: 70mph (112kph).

Dimensions: H: 170mm, L: 460mm, D: 205mm.