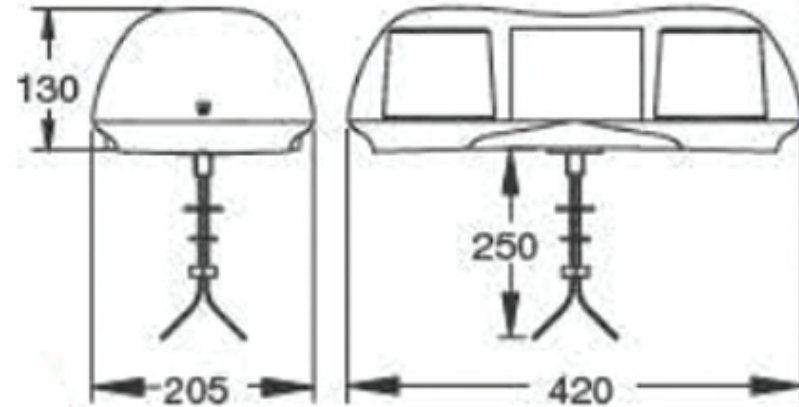
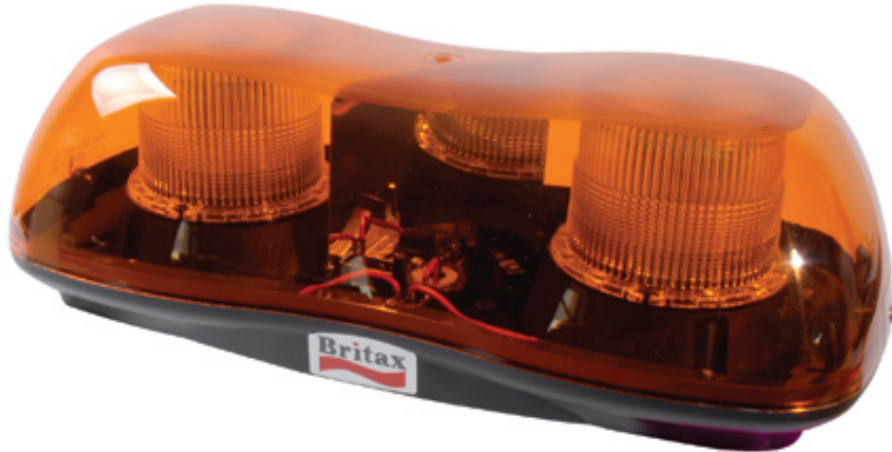


A451 LED Light Bar

Britax Single Bolt Fixing



Part Number	Description	Features
A451.00.LMV	10-49V LED Light Bar	<p>Britax mini LED light bar with polycarbonate amber lens, single bolt fixing and dual voltage suitable for commercial and utility vehicles. An 18mm diameter hole is required for fixing.</p> <p>The design of this mini light bar means it is suitable for curved or flat roofs with a flexible magnetic mounting. A451 comes with a high performance base which is water resistant to increase the life of the light bar. The use of LED technology means that the light bar has a high intensity concentrated light beam. This mini light bar is approved to EMC levels.</p> <p>Flash rate: 70 groups of 5 flashes per minute.</p> <p>Dimensions: H: 130mm, L: 420mm, D: 205mm.</p>
185.45.14	Amber Lens	
13606.54	Dual Voltage Module	
10085	Internal Fresnel Lens	