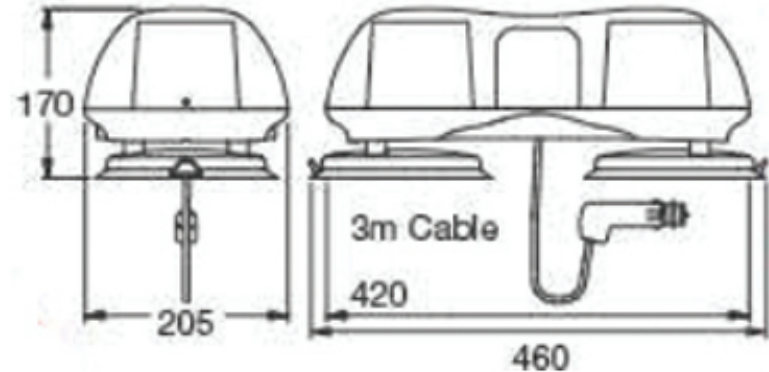


A434 Xenon Light Bar

Britax Magnetic Fixing



Part Number	Description	Features
A434.00.DV	10-30V Xenon Light Bar	<p>Britax mini Xenon light bar with non-fading polycarbonate amber lens, multi voltage complete with a robust magnetic fixing which is suitable for commercial and utility vehicles.</p> <p>The A434 magnetic light bar is suitable for curved or flat roofs with a flexible magnetic mounting and comes with a high performance base which is water resistant to increase the life of the light bar. The use of LED technology means that the light bar has a high intensity concentrated light beam and a low power draw to the lamp to reduce any wasted energy. This mini light bar is approved to EMC and ECE levels.</p> <p>Flash rate: 70 flashes per minute.</p> <p>Dimensions: H: 170mm, W: 420mm, D: 205mm.</p>
18547.00	Amber Lens	
13002.00	Xenon Module	
10085	Internal Fresnal Lens	
18106.00	Bush Mounting Kit	
14218.00	Single Pole Plug	