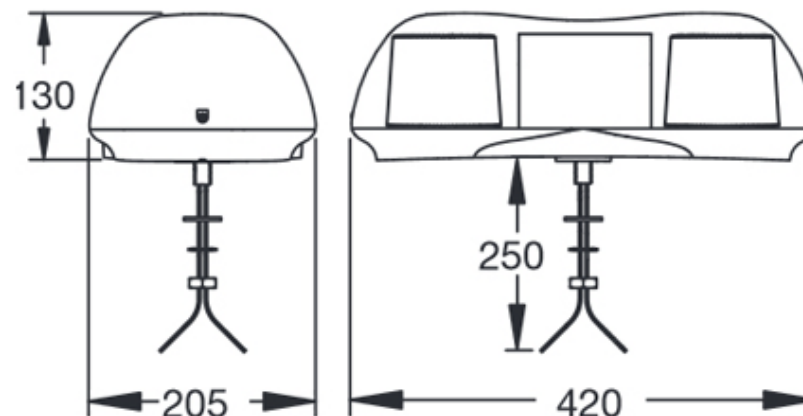


## A431.00DV

### Mini Xenon Light Bar Amber



#### Part Number

#### Description

A431.00DV	Mini Xenon Light Bar Single Point Fixing 12/24V
18547.00	Amber Lens
13002.00	Xenon Module
10085	Internal Fresnel Lens

#### Features

Britax dual voltage standard Xenon mini light bar with 2 flashing beacons and an amber polycarbonate lens which is suitable for commercial, utility and fleet applications.

This mini Xenon light bar comes with a water resistant design, toughened lens and high performance base as standard for increased durability and performance. The flash rate covers the two rotating beacons to ensure high visibility. Approval levels for this Britax mini halogen light bar meet ECE R65 and EMC standards.

Flash rate: 70 flashes per minute.

Dimensions: H: 130mm, W: 420mm, D: 205mm.