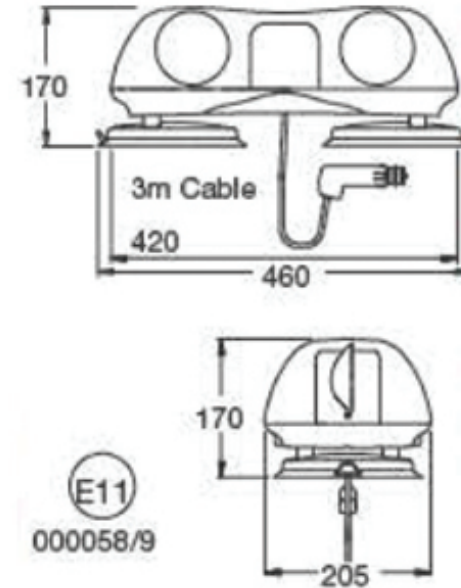


A424 Halogen Light Bar

Britax Magnetic



Part Number	Description
-------------	-------------

A424.00.12V	12V Magnetic Light Bar
A424.00.24V	24V Magnetic Light Bar
18545.00	Amber Lens
27031	Bulb Retaining Clip
15214	Drive Belt
13551.04	Dual Voltage Module
18106.00	Bush Mounting Kit
14218.00	Single Pole Plug

Features

This Britax mini halogen light bar with polycarbonate amber lens with halogen rotating module and a strong hold magnetic fixing comes in 12 and 24 volt options. The A424 halogen light bar is suitable for commercial and utility vehicles.

This Britax Halogen light bar comes with a rotating module with a high quantity flash rate to ensure high visibility. As standard this mini light bar comes with a high performance base with a water resistant design and toughened lens to increase durability. This light bar is approved to ECE R65 and EMC levels.

Flash rate: 160 flashes per minute.

Dimensions: H: 130mm, W: 420mm, D: 205mm