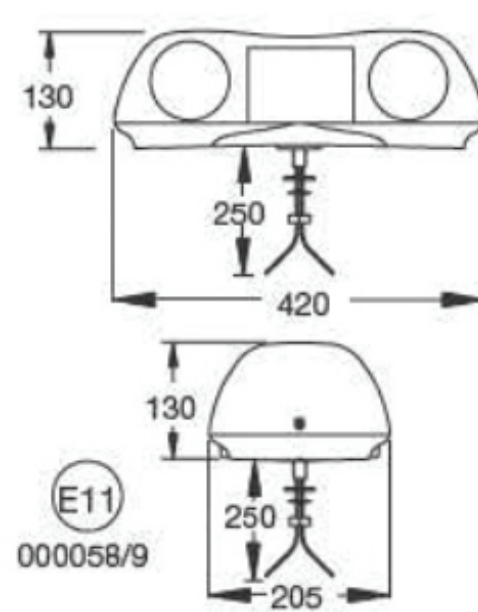


A421 Halogen Light Bar

Britax Single Bolt



Part Number	Description
-------------	-------------

A421.00.12V	12V Single Bolt Light Bar
A421.00.24V	24V Single Bolt Light Bar
18545.00	Amber Lens
27031	Bulb Retaining Clip
15214	Drive Belt
13551.04	Dual Voltage Module

Description and Features

A single bolt fixing mini halogen light bar with an amber polycarbonate lens with halogen rotating modules manufactured by Britax and is available in 12 and 24 volts. This mini halogen light bar is suitable for commercial, utility and fleet applications.

With a water resistant design, toughened lens and high performance base this halogen mini light bar is perfect for durability and performance and also has a high quantity flash rate for increased visibility. Approval levels for this Britax mini halogen light bar meet ECE R65 and EMC standards.

Flash rate: 160 flashes per minute.

Dimensions: H: 130mm, W: 420mm, D: 205mm.