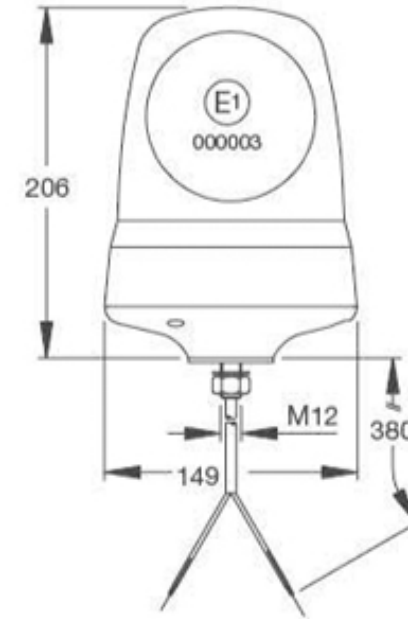


## 391 Halogen Beacon

Britax Single Bolt Fixing



Part Number	Description
-------------	-------------

391.00.LB	Less Bulb Beacon
391.00.12V	12V Beacon
391.00.24V	24V Beacon

### Description and Features

Halogen single bolt amber beacon available in 12 and 24 volt options to suit all commercial vehicles including trucks, trailers, utility and construction vehicles. Please specify the voltage when you order.

The Britax B391 warning beacon has a toughened polycarbonate amber lens and a flexi base to increase the life of the lamp. Each beacon has a low current consumption to stop any wasted energy. EMC and ECE approved.

Flash rate: 160 flashes per minute.  
 Dimensions: 149 (W) x 206 (H) x 149 (D) mm.